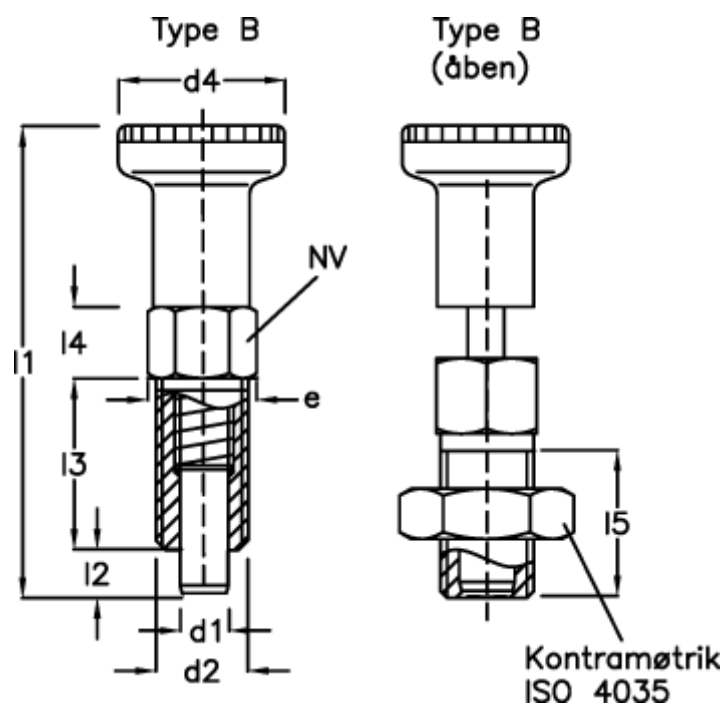


Article number: 201870221

Description: E+G

Indexing plunger GN 717-6-M10-B-NI

## Measures



d1 = 6	l5	= 17.0
d2 = M10	NV	= 10
d4 = 18	Spring pressure N bottom	= 21
e = 11.5	Spring pressure N top	= 5
l1 = 49.0		
l2 = 6		
l3 = 20		
l4 = 7.5		